



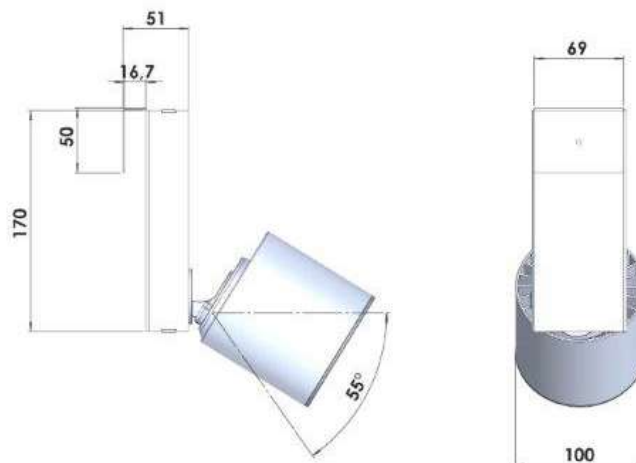
N1 ECO KEEN

N1 ECO KEEN

Input Power	LED Module Options	Color Consistency	Installation Type	Material	Warranty	Beam Angles	Luminaire Color
220 – 240V	CRI 80+ 2700K, 3000K, 3500K, 4000K, 5000K CRI 90+ 2700K, 3000K B.BBL, 3500K B.BBL, 4000K, 5000K	2-Step MacAdam	Surface Mounted via Hook	Powder Painted Die-Cast Aluminum	50 000h Or 5 Years	S 15° NFL 20° NFL 3d 24° FL 30° MFL 3d 36° WFL 50°	White (RAL 9016) Silver (Ca. RAL 9006) Black (RAL 9005)

Output Current / Module Wattage / System Wattage:	LED Module Luminous Flux:						300 – 1050mA
	CRI 80+ 3 000K	CRI 80+ 4 000K	CRI 80+ 5 000K	CRI 90+ 2 700K	CRI 90+ 3 000K Below BBL	CRI 90+ 3 500K Below BBL	CRI 90+ 4 000K
550mA / 19W / 21W	3 025Lm	3 175Lm	3 200Lm	2 450Lm	2 425Lm	2 525Lm	2 725Lm
700mA / 25W / 27W	3 700Lm	3 875Lm	3 925Lm	3 000Lm	2 975Lm	3 100Lm	3 325Lm
850mA / 31W / 34W	4 275Lm	4 500Lm	4 550Lm	3 450Lm	3 450Lm	3 600Lm	3 850Lm
1050mA / 39W / 43W	5 075Lm	5 350Lm	5 400Lm	4 125Lm	4 150Lm	4 325Lm	4 575Lm

Technical Dimensions:



IP20

LED Design | Made In Finland

