

## VARSO LED

### Ceiling-mounted LED light fitting



54IP



[V] 220-240 AC	[Hz] 50/60	[°] 120	[lm] ≥20000	[h] 20000	ellipse ≤ 6x MacAdam	Ra ≥80
SMD			IP 54		[°C] -20÷35	
	[mm] 0,5-2,5	m 0,5m				



### VARSO LED 18W-WW-O

		[W]	[lm]	Tc [K]		SENSOR
VARSO LED 18W-WW-O	<b>26440</b>	18	1620	3000	white	
VARSO LED 18W-NW-O	<b>26441</b>	18	1700	4000	white	
VARSO LED 18W-WW-L	<b>26442</b>	18	1620	3000	white	
VARSO LED 18W-NW-L	<b>26443</b>	18	1700	4000	white	
VARSO LED 24W-WW-O	<b>26444</b>	24	2160	3000	white	
VARSO LED 24W-NW-O	<b>26445</b>	24	2280	4000	white	
VARSO LED 24W-WW-L	<b>26446</b>	24	2160	3000	white	
VARSO LED 24W-NW-L	<b>26447</b>	24	2280	4000	white	
VARSO LED 18W-NW-L-SE	<b>26980</b>	18	1700	4000	white	microwave
VARSO LED 18W-NW-O-SE	<b>26981</b>	18	1700	4000	white	microwave
VARSO LED 24W-NW-L-SE	<b>26983</b>	24	2280	4000	white	microwave
VARSO LED 24W-NW-O-SE	<b>26984</b>	24	2280	4000	white	microwave



Kanlux VARSO LED is a family of hermetic ceiling light fixtures with an integrated LED light source. It is a great choice both for investment (housing co-operatives, hotels) and for individual households where increased resistance to humidity (IP54) is needed.

- PZH attestation: Number BK/K/0352/01/2018, valid until 2023-05-30
- VARSO LED + SE - version with a motion sensor
- Enclosure material: plastic
- Lampshade material: plastic

## VARSO LED

Ceiling-mounted LED light fitting



VARSO LED 18W-O; VARSO LED 18W-O-SE



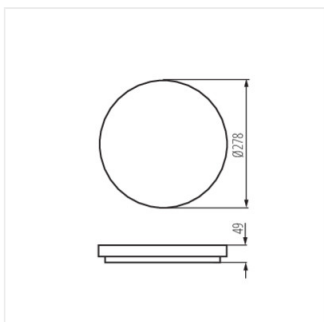
VARSO LED 18W-L; VARSO LED 18W-L-SE



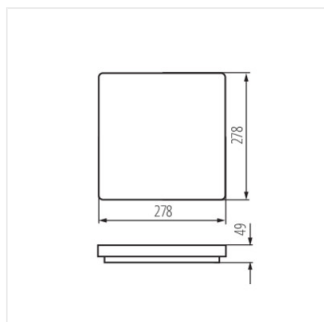
VARSO LED 24W-O; VARSO LED 24W-O-SE



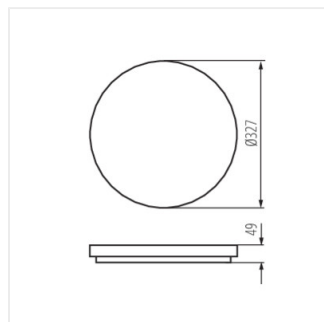
VARSO LED 24W-L; VARSO LED 24W-L-SE



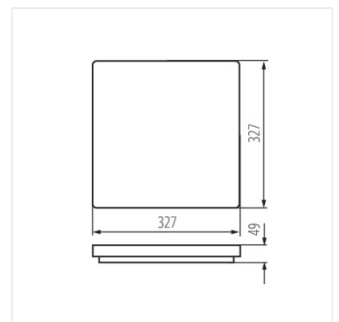
VARSO LED 18W-O; VARSO LED 18W-O-SE



VARSO LED 18W-L; VARSO LED 18W-L-SE



VARSO LED 24W-O; VARSO LED 24W-O-SE



VARSO LED 24W-L; VARSO LED 24W-L-SE