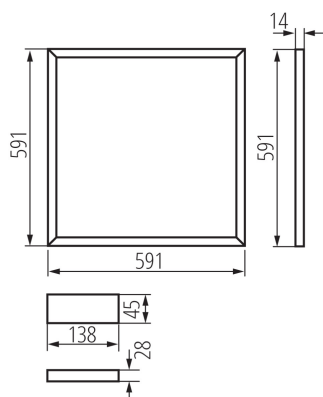
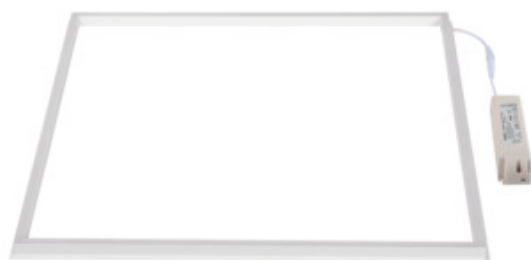


LED lighting frame

5905339267719



LED panels are very popular lighting elements in office interiors. Due to their durability, energy efficiency and aesthetics, they have replaced extent raster luminaires to a large. Kanlux AVAR LED is a new dimension in LED panels distinguished by modern technology and the shape of frame which emits intense and impressive light.

GENERAL DATA:

Colour: white

Place of assembly: Recessed mount in the ceiling

Place of application: Indoors

Minimum distance from the illuminated object: 0,5m

Compatible with a dimmer: no

Replaceable light source: no

The product is not suitable to be covered with a heat-insulating material: yes

Feeder included: yes

Length [mm]: 591

Width [mm]: 591

Height [mm]: 14

Integrated LED light source: yes

TECHNICAL DATA:

Rated voltage [V]: 220-240 AC

Rated frequency [Hz]: 50/60

Maximum power [W]: 40

Class of protection against electric shock: II

Lampshade material: plastic

Diode type: LED SMD

Luminous flux [lm]: 3800

Colour temperature: cold white

Colour temperature [K]: 6000

Colour uniformity [SDCM]: ≤6

Colour-rendering index Ra: ≥80

Service life [h]: 25000

Number of on/off cycles: ≥15000

Lighting angle [°]: 110

Luminous efficiency of the lamp [lm/W]: 95

Ambient temperature range to which the product can be exposed: 5÷25

Shade type: opal

Enclosure material: aluminum alloy

Panel/frame material: aluminum alloy

Connection type: Terminal block

Range of sections of wires used [mm²]: 0,75

LED lighting frame



The fixture set includes built-in LED's with the following energy classes: A++,A+,A

Lamp-heating time [s]: ≤ 1

Lamp-ignition time [s]: $\leq 0,5$

IP class: 20

LOGISTIC DATA:

Unit of measurement: unit

Packaging method: 10

Number of units in the secondary packaging: 1

Number of units in the packaging: 10

Net unit weight [g]: 480

Grammage [g]: 880

Length of a unit pack [cm]: 62

Width of a unit pack [cm]: 3

Height of a unit pack [cm]: 62

Weight of a cardboard box [kg]: 8.8

Width of a cardboard box [cm]: 34

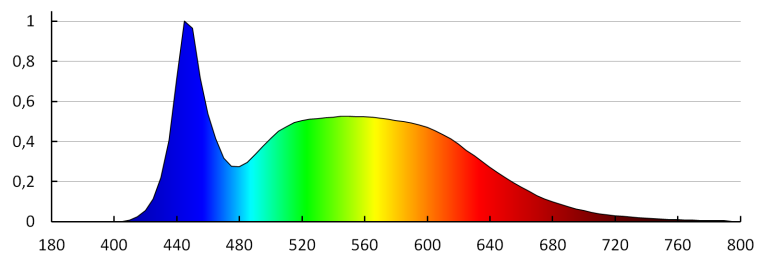
Height of a cardboard box [cm]: 63.5

Length of a cardboard box [cm] : 63.5

Volume of a cardboard box [m³]: 0.137097

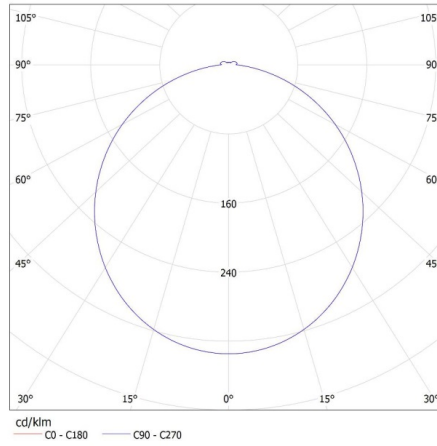
ADDITIONAL INFORMATION:

- AVAR 62x62 is intended for an alternative size of ceiling systems (625mmx625mm)



KANLUX S.A. (kat 26771) AVAR 6060 40W-CW / LDC (Polar)

Luminaire: KANLUX S.A. (kat 26771) AVAR 6060 40W-CW
Lamps: 1 x AVAR 6060 40W-CW



ACCESSORIES:

28512 AVAR DALI SET 40W

Set containing accessories and a power supply unit enabling communication in line with DALI protocol (28512)

