



CoreLine Waterproof

WT120C G2 LED34S/840 PSU ELB3 L1500

Coreline Waterproof G2 LSC - LED Module, system flux 3400 lm
 - 840 neutral white - Power supply unit - Emergency lighting 3 hours duration

Whether for a new building or renovation of an existing space, customers want lighting solutions that provide quality of light and substantial energy and maintenance savings. The new CoreLine Waterproof range of LED products can be used to replace traditional waterproof luminaires with fluorescent lamps. The process of selecting, installing and maintaining is so easy – it’s a simple switch. Also available as an Interact Ready wireless CoreLine waterproof luminaire that works with Interact Pro lighting software and Interact Ready devices to provide a connected lighting system for SMEs

Product data

General Information		Protection class IEC	Safety class I
Lamp family code	LED34S [LED Module, system flux 3400 lm]	Glow-wire test	Temperature 850 °C, duration 30 s
Light source colour	840 neutral white	Flammability mark	D [For mounting on easily flammable surfaces]
Light source replaceable	No	CE mark	CE mark
Number of gear units	1 unit	ENEC mark	ENEC mark
Driver/power unit/transformer	PSU [Power supply unit]	Warranty period	5 years
Driver included	Yes	Remarks	* - According to the Lighting Europe guidance paper 'Evaluating performance of LED based luminaires – January 2018': statistically there is no relevant difference in lumen maintenance between the B50 and, for example, the B10. Therefore, the median useful life (B50) value also represents the B10 value.
Optic type	110 [Beam angle 110°]	Constant light output	No
Optical cover/lens type	MLO [Micro-lens optic]		
Luminaire light beam spread	105°		
Emergency lighting	EL3 [Emergency lighting 3 hours duration]		
Control interface	-		
Connection	Push-in connector 4-pole		
Cable	-		

CoreLine Waterproof

Number of products on MCB (16 A type B)	60
EU RoHS compliant	Yes
Product family code	WT130C [Coreline Waterproof G2 LSC]
Unified glare rating CEN	25

Operating and Electrical

Input Voltage	220 to 240 V
Input frequency	50 or 60 Hz
Inrush current	5.16 A
Inrush time	0.047 ms
Power factor (min.)	0.86

Controls and Dimming

Dimmable	No
----------	----

Mechanical and Housing

Housing material	Polycarbonate
Reflector material	Steel
Optic material	Polycarbonate
Optical cover/lens material	Polycarbonate
Gear tray material	Steel
Fixation material	Stainless steel
Optical cover/lens finish	Frosted
Overall length	1515 mm
Overall width	80 mm
Overall height	76 mm
Colour	Grey
Dimensions (height x width x depth)	76 x 80 x 1515 mm (3 x 3.1 x 59.6 in)

Approval and Application

Ingress protection code	IP65 [Dust penetration-protected, jet-proof]
Mech. impact protection code	IK08 [5 J vandal-protected]

Initial Performance (IEC Compliant)

Initial luminous flux (system flux)	3400 lm
Luminous flux tolerance	+/-10%
Initial LED luminaire efficacy	113 lm/W
Init. Corr. Colour Temperature	4000 K
Init. Colour rendering index	>80
Initial chromaticity	(0.38,0.38)SDCM<=3
Initial input power	29.5 W
Power consumption tolerance	+/-10%

Over Time Performance (IEC Compliant)

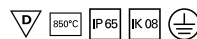
Control gear failure rate at median useful life 50,000 h	5 %
Lumen maintenance at median useful life* 50,000 h	L75

Application Conditions

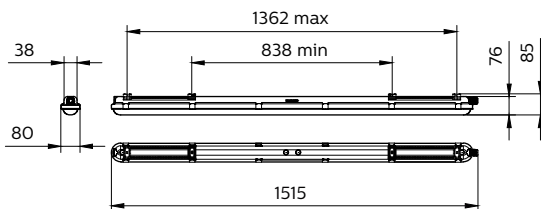
Ambient temperature range	0 to +25 °C
Performance ambient temperature Tq	25 °C
Maximum dimming level	Not applicable
Suitable for random switching	Not applicable

Product Data

Full product code	871829185420300
Order product name	WT120C G2 LED34S/840 PSU ELB3 L1500
EAN/UPC – product	8718291854203
Order code	85420300
Numerator – quantity per pack	1
SAP numerator – packs per outer box	1
Material no. (12 NC)	910505100062
Net Weight (Piece)	2.820 kg

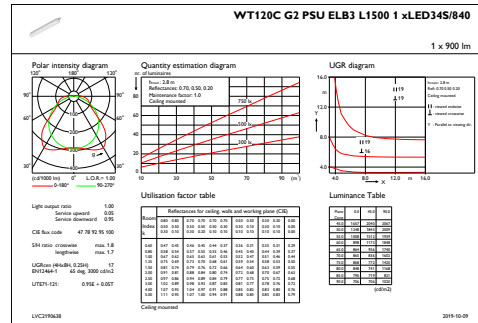
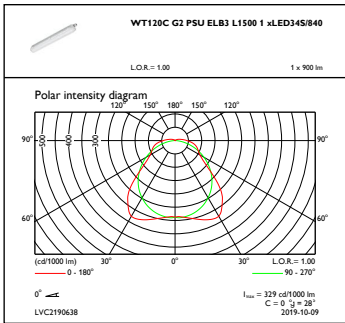


Dimensional drawing



CoreLine Waterproof WT120C

Photometric data



OFPC1_WT120CG2PSUEL3L15001xLED34S840

IFGU1_WT120CG2PSUEL3L15001xLED34S840

